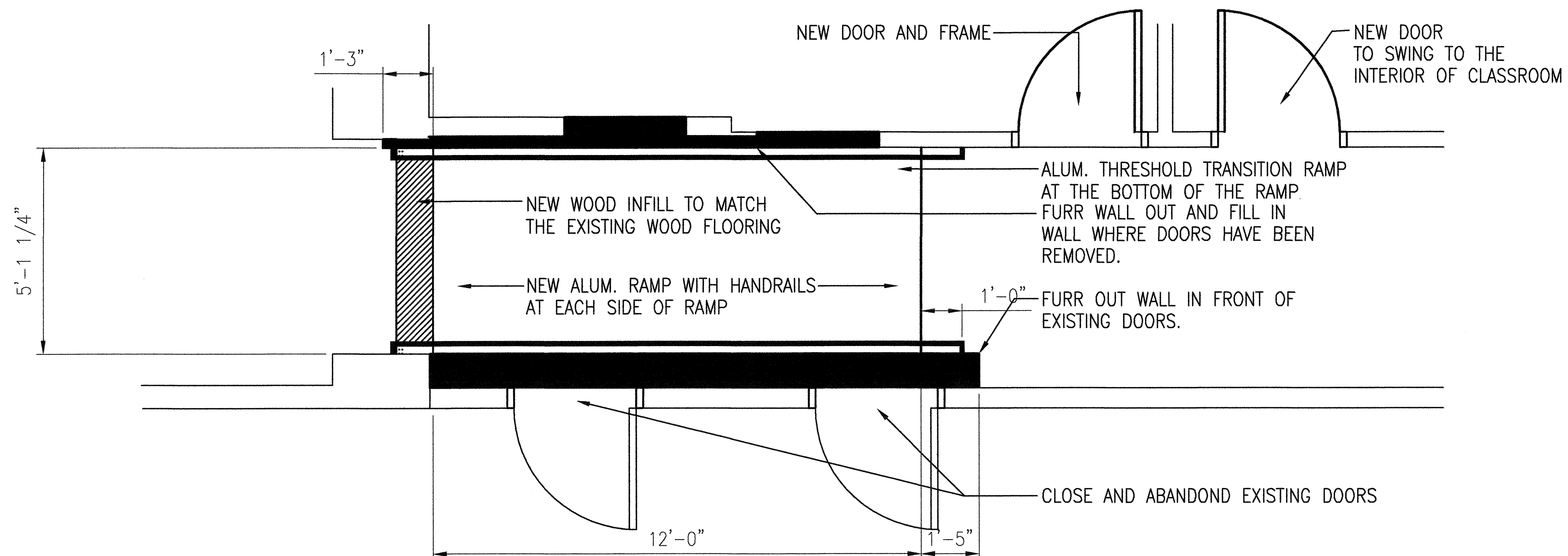
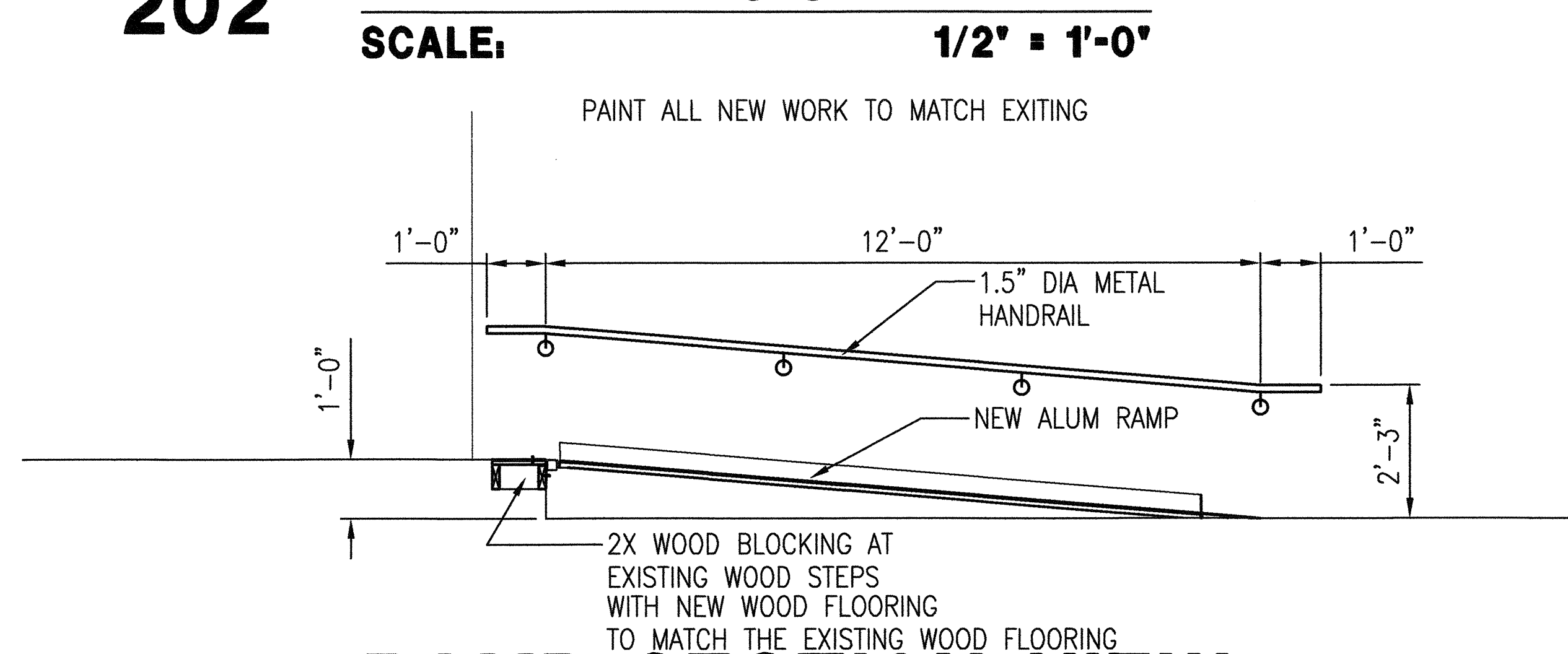


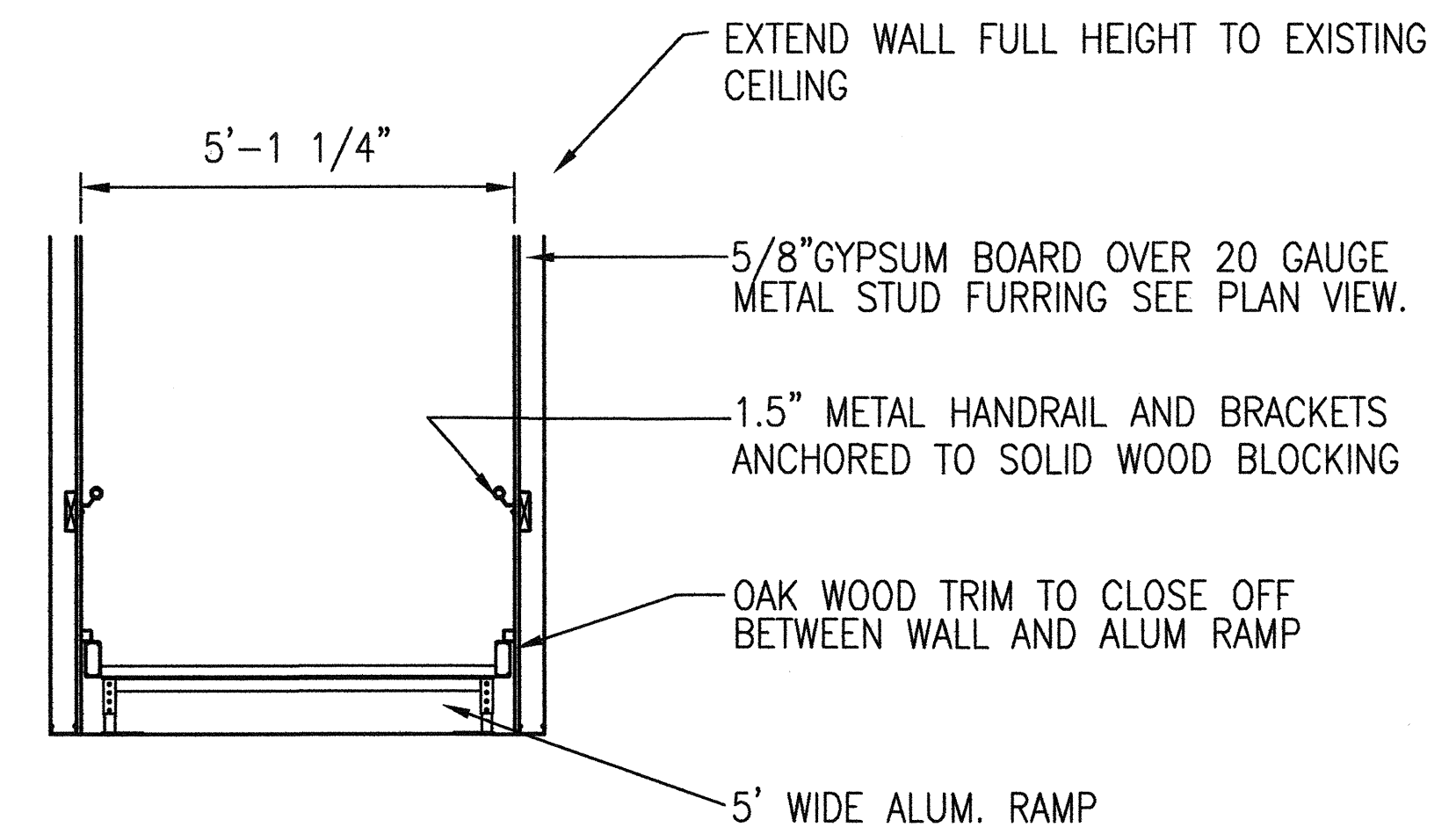
201 EXISTING CORRIDOR PLAN
SCALE: 1/2" = 1'-0"



202 RAMP FLOOR PLAN
SCALE: 1/2" = 1'-0"



203 RAMP SECTION VIEW
SCALE: 1/2" = 1'-0"



204 RAMP SECTION VIEW
SCALE: 1/2" = 1'-0"

ALUM RAMP BY
Sapa Extrusions, llc.
Delhi, Louisiana
1-800-779-5509
ALUMINUM RAMP SYSTEM